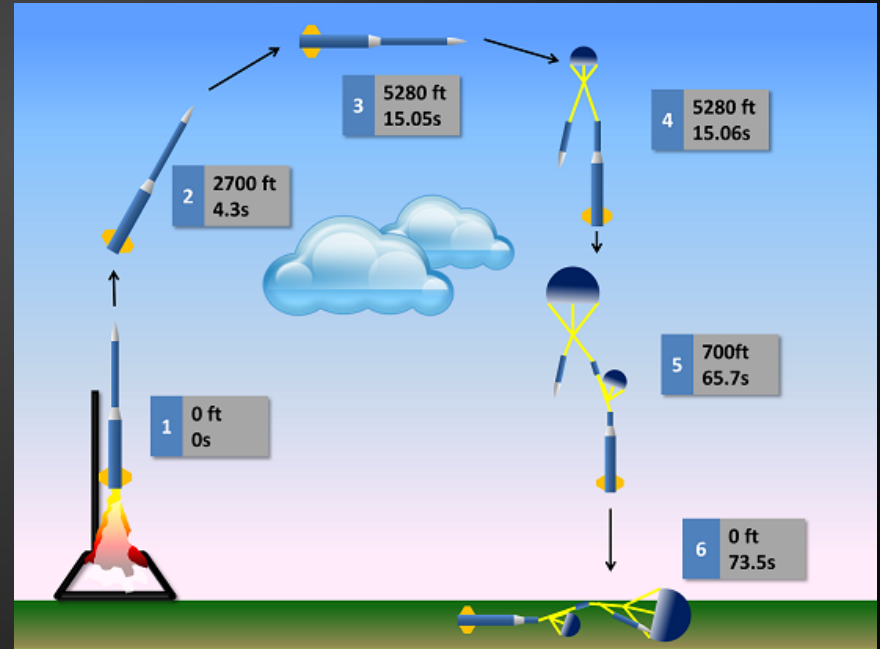
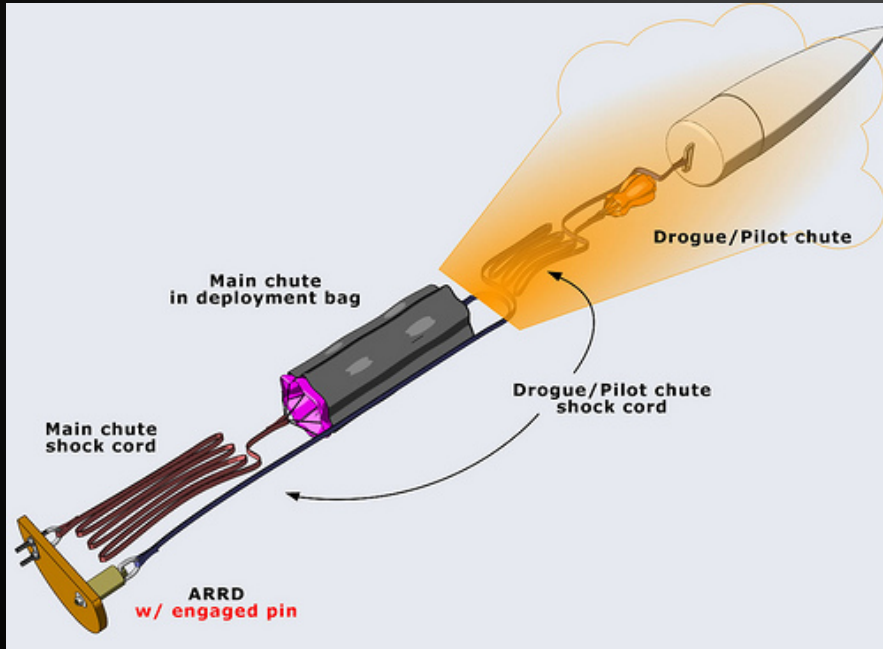
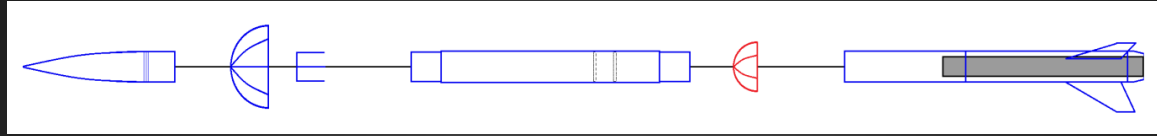


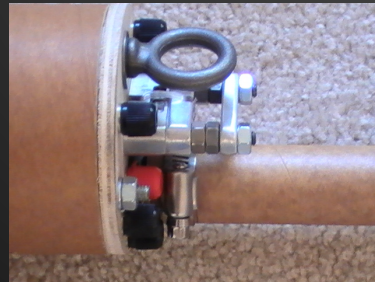
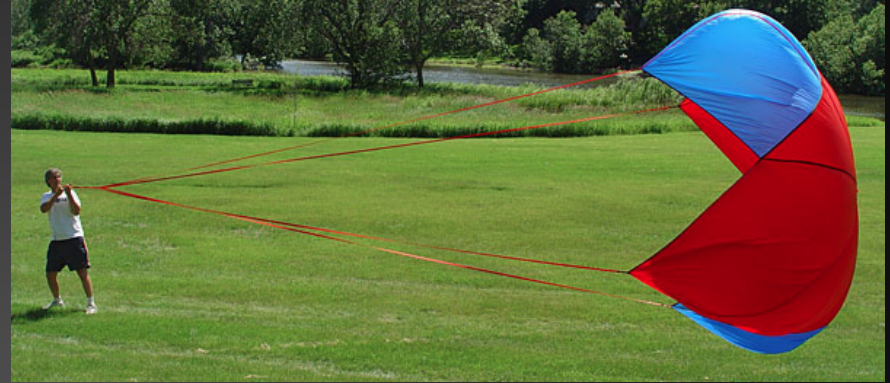
Recovery

Deployment Overview



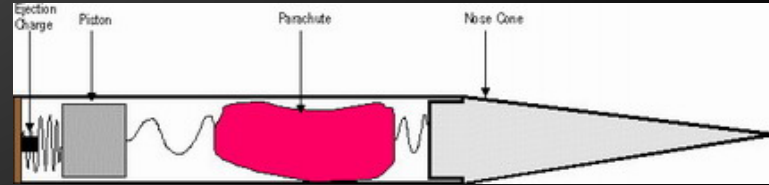
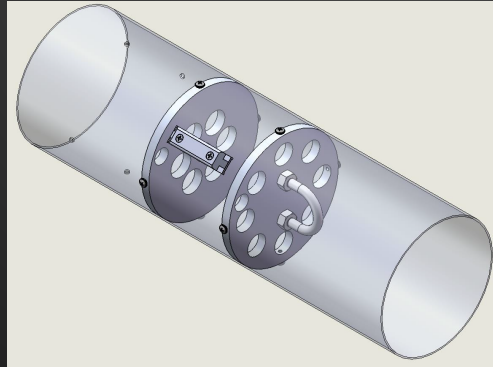
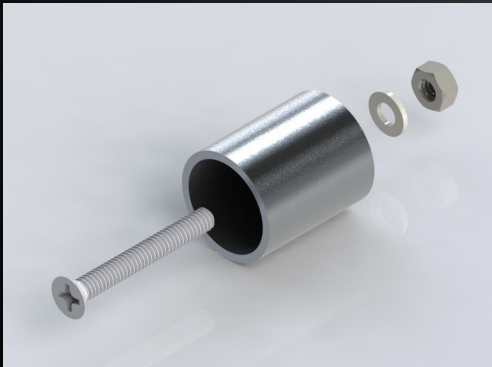
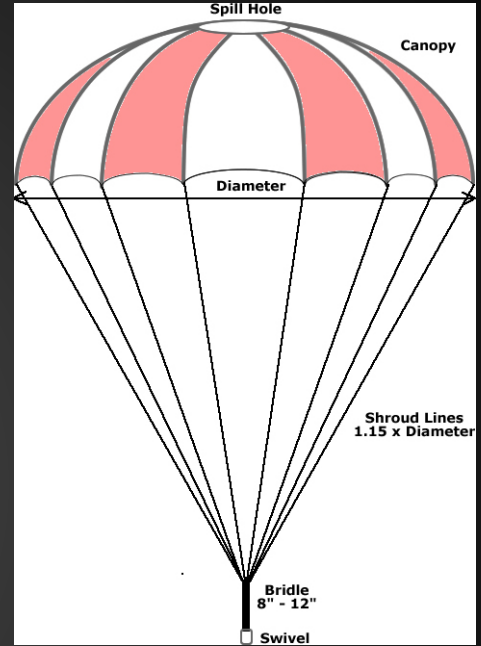
Design Elements

- Drogue Chute
- Main Chute
- Shock Cord
- Charge Baffle
- Ejection System
- Altimeters



Manufacturing

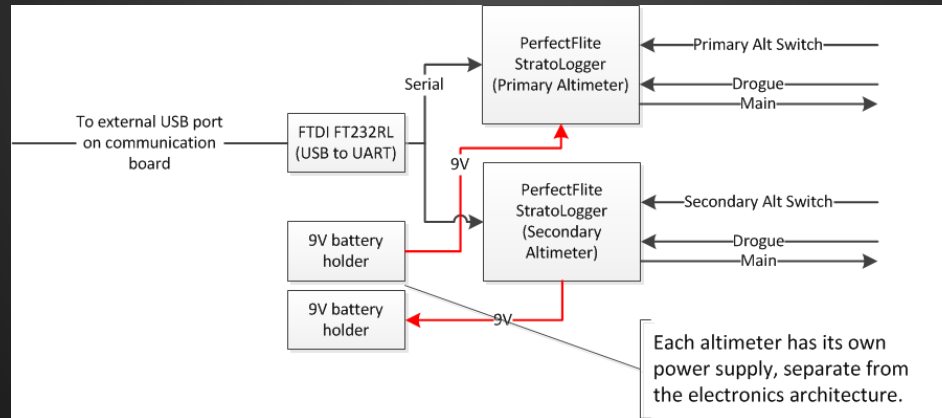
- Manufacturing Ourselves
 - Main and Drogue Parachutes
 - Ejection System
 - Blast Caps



Electrical Design

Recovery Electronics Board

- Two Altimeters
- Separation
- Tracking



Testing

- Ground based charge testing
- Subscale Launch Testing
- Scale Parachute Testing
- Full Scale Launch Testing

