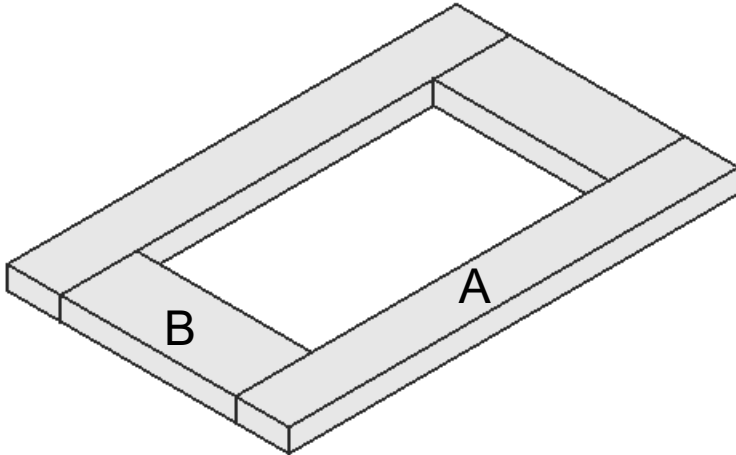


BIRD FEEDER/PLANTER

The following pieces can be cut from 1 and a half cedar fencing boards that are 5 ½ “wide x 6’ long x ½-5/8” thick with minimal waste.

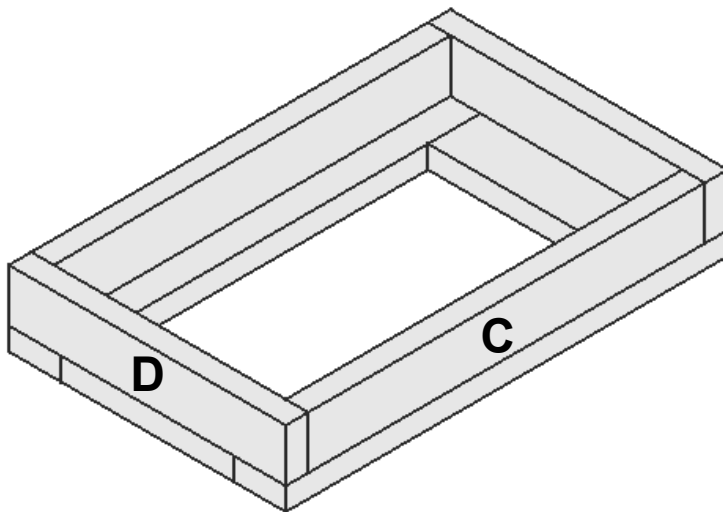
Index letter	# pieces	Width	Length	Comment
BASE				
A	2	1 3/8”	11 ¾”	sides
B	2	2 “	4 ½”	ends
BOTTOM BOX				
C	2	1 3/8”	10 ½”	sides
D	2	1 3/8”	7 ¼”	ends
GABLED ENDS				
E	2	5 ½”	10”	gabled ends with top cut at 30 degrees OPTIONAL: taper the sides of these pieces 5 degrees on both sides forming a narrower bottom.
ROOF				
F	2	5 1/2”	13”	Bevel top edge 30 degrees. roof (bottom of planter)
G	2	2 3/4”	13”	planter (roof) sides
H	4	2 3/4”	7” (long edge)	planter ends (long end cut at 30 degree angle)
I	1	6 “	9 ¼ “	1/8” mesh screen
j				hanger

DIRECTIONS: Assembly is done with a pin-nailer, brad nailer or 4D Box nails of 1 ¼” length, and water-proof glue. **NOTE:** cedar wood fencing varies in thickness which can affect the total length of the assembled pieces up to an eighth an inch).



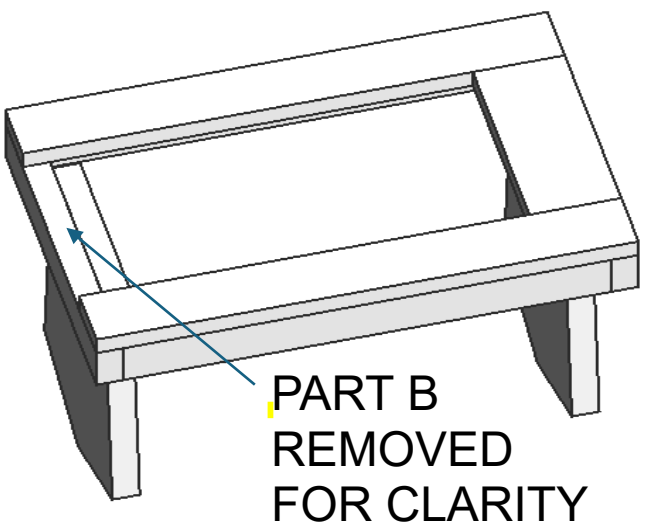
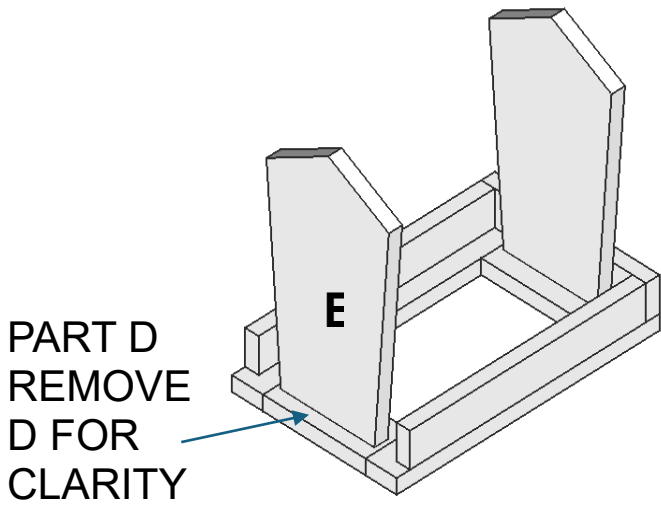
BASE

Attach the Base pieces (A & B) to Box Bottom to forming an open “tray” inside.



BOX BOTTOM

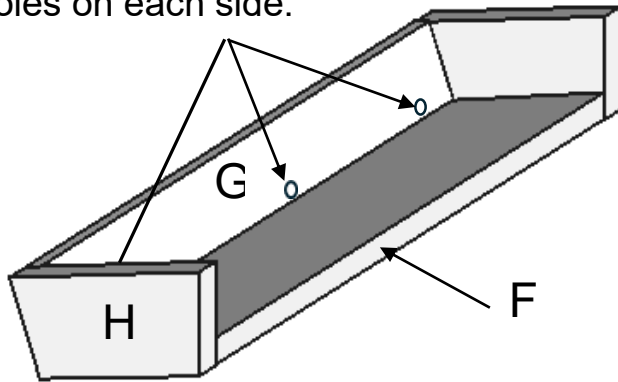
Assemble the two 7 ¼” box bottom end pieces (D) to the end of the two 10 ½” bottom box sides (C) to form a total box length and width of 11 ½” by 7 ¼”.



GABLE ENDS and ASSEMBLY

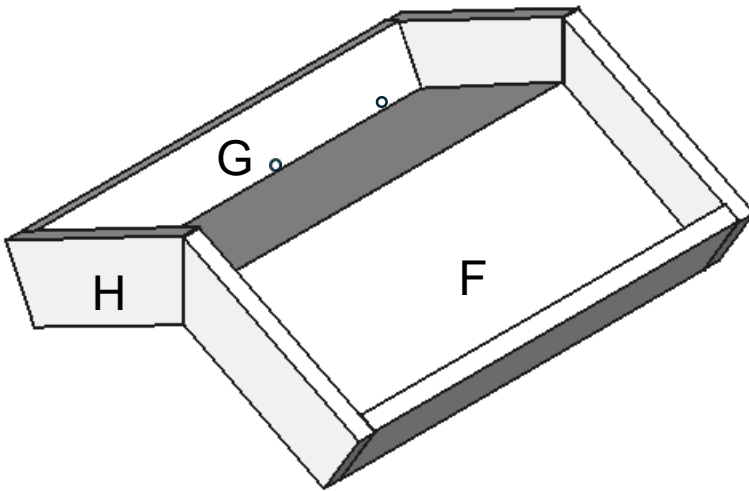
Turn over completed Base and Box and center the Gabled Ends (E) on the inside of the box, sitting on the base. Glue and nail in place.

Drill three ¼" drain holes on each side.

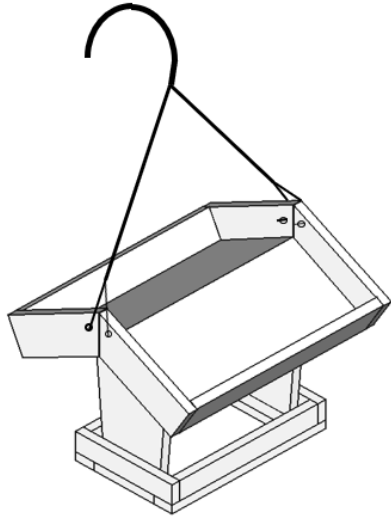


ROOF

Assemble one side (G) and 2 end pieces (H) to one roof piece (F) making the total length approximately 14" long. The long edges should be on the same side and away from the roof (F) piece and the bevel edge of roof piece (F) should align with the long end of end piece (H)



Repeat this procedure for the other roof side ensuring the long edges are away from and on the same side of the roof piece. These 2 pieces will form the peak (gable end) of the roof.



Roof can be planted as shown here.

FINAL ASSEMBLY

Apply glue to the top of the Gable Ends and attach the two assembled roof pieces to the top of the Gabled End (E) supports. Nail from the top.

Place part I (screen) in the bottom between the Gables.

Attach the Hanger (J) by inserting its multi-strand wire through the holes in part(H). Twist the ends together if needed.

NOTE: If you plant the rooftop, it is recommended that a sheet of plastic be laid on the wood surfaces your soil medium will touch to help keep the roof wood from rotting. If you do this, you will also need to pierce the plastic in the area of the previously drilled drain holes in gable sides (G).

Special thanks to former Master Gardener Wayne Brown for this initial project and directions.

Special thanks to Martin Williams for computer generated images.

Extra special thanks to Master Gardeners Audreen Williams and Gary Brundige, and Olympic Peninsula Audobon Society Member Matt McCoy for their help in this DIY document and bird feeder/planter.

Printed April, 2025

DIY Bird Feeder/Planter



Cutting Layout

